

Neogen Petrifilm Automated Feeder

System Components

- Petrifilm Automated Feeder
- Petrifilm Plate Reader Advanced sold separately
- Petrifilm Plates with barcodes: RAC, RCC, REC, RYM, AC, CC, EB, EC, LAB, SEC, STX, STXD (Petrifilm Plate type must be included in the barcode). Recommended to include dilution and sample ID

System Performance

- Processes up to 300 plates in 33 minutes.
- System can be configured to sort enumerated plates according to user preference (i.e., pass/fail, by plate type, etc.).
- Reads 10 types of barcode symbologies.
- Features at-a-glance LED status indicator light and audible alarm.

Petrifilm Plate Manager Software Requirements and Recommendations

- Microsoft .NET Framework 4.5 or above (Installer)
- Device Drivers – For connectivity with the Neogen Petrifilm Automated Feeder (LibUsb Installer)
- Visual C++ Redistributable (64-bit) – vc_redist_x 64.exe (version 10.0.30319.1). (Installer)
- Intel-Core-i5 @ 1.80GHz Processor with Windows 10 or Windows 11 32/64 bit Intel-based processors with minimum 16 GB of available RAMS
- Software supported in 9 languages (English, German, French, Spanish, Portuguese, Japanese, Chinese, Korean and Thai)

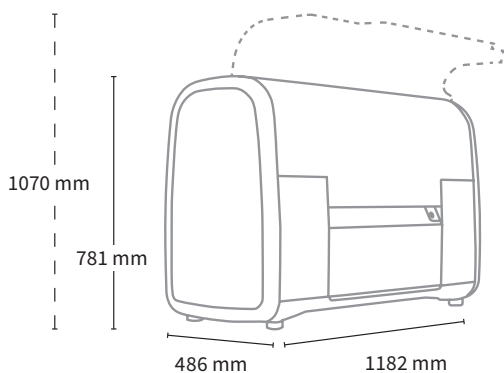


Environmental Operating Conditions

Environmental Condition	Operating Condition
Altitude	Max 2500 meters
Operating Temperature	15–35 °C
Storage Temperature	-20 to +60 °C
Relative Humidity	10–85% noncondensing
Overtoltage	Category II
Indoor Use Only	Connect the data connections only to a computer that conforms to IEC/EN/UL/CSA 60950-1 or 62368-1

Product Specifications

Specifications	Model No. 700006589	Model No. 700006590
AC Voltage for power supply Mains supply voltage fluctuations up to ± 10% of nominal voltage Temporary overvoltages occurring on the mains supply	100–120 Volts	220–240 Volts
Frequency	50/60 Hertz	50/60 Hertz
AC Current for power supply	8 Amps	4 Amps



Weight
110 kg

External Connectors
USB 2.0
Type B and
4 Pin Lock DIN

Other Installation Requirements

- Pallet jack and space to maneuver the instrument crate to the location where the instrument will be placed and set up.
- Benchtop space that meets the weight and size requirements specified above. Note that you will need additional space to the left or right side of the instrument for the PC (it is recommended that the PC go on the left side).
- 3 individuals that can lift a minimum of 75 pounds. It is recommended you use a powered lift stacker, if one is available, to move the crate from the ground to the benchtop.

What's included?

- Petrifilm Automated Feeder
- Petrifilm Automated Feeder power cord
- USB cord
- 1 input bin
- 2 output bins
- Additional set of picker suction cups, separator suction cups, and vacuum air filters

Preventive Maintenance

Lightly spray a disposable towel with 70% Isopropyl alcohol (IPA) or 70% ethanol, and gently wipe the outer and inner surfaces of the instrument. The disposable towel should be moist, not dripping. Avoid the power and USB cable connection while cleaning the exterior surfaces.

Note: Please refer to the Cleaning and Maintenance section of the software for video tutorials on cleaning specific components.



Ordering Information

Material	Material Description
700006589	Petrifilm Automated Feeder, 110V
700006590	Petrifilm Automated Feeder, 220V
700006593	Petrifilm Automated Feeder, Input Bin
700006594	Petrifilm Automated Feeder, Output Bin
700006587	Petrifilm Automated Feeder, Station Cups, 5-pk
700006588	Petrifilm Automated Feeder, Picker Cups, 5-pk
700006592	Petrifilm Automated Feeder, Filters, 4-pk
700006591	Petrifilm Automated Feeder, Extended Service Agreement

For more information, visit info.neogen.com/PetrifilmAutomation

